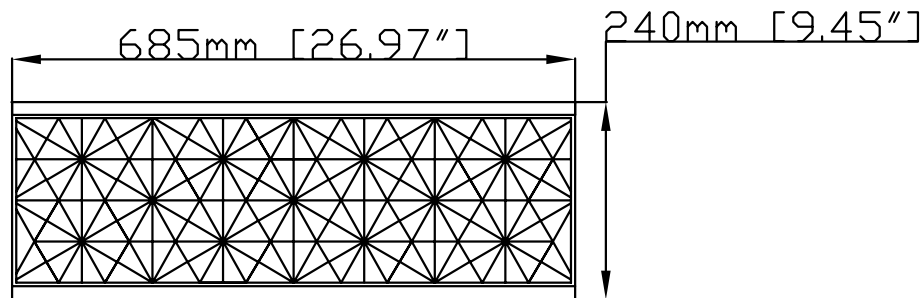
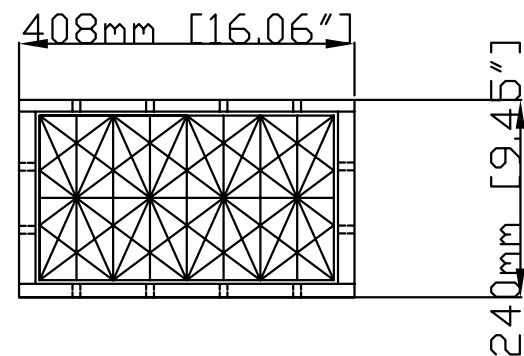


Plan View



Side View



Front View



Atlantis Mini D-Raintank™ Tank Module  
 Part No. 70000 - (W)408mm [16.06"]x (L)685mm [26.97"] x (H)240mm [9.45"]  
 Maximum Recommended Load = 23.9t/m<sup>2</sup> [34 psi]  
 Volume = 68l [2.40cf][17.96 gallons]  
 15 Modules = 1m<sup>3</sup>